

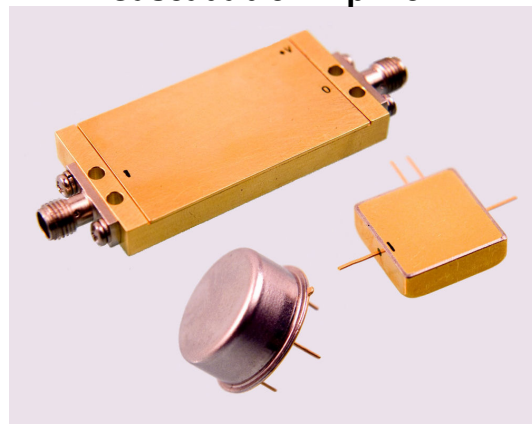
Features: (typical values)

- High Reverse Isolation 40.0 dB.
- Noise Figure 2.0 dB.
- High Gain 33 dB.
- Low Cost

Maximum Ratings

Storage Temperature -62°C to +125°C
 DC Voltage +17 volts
 RF Input Power +7.0 dBm.
 Case Temperature +100°C

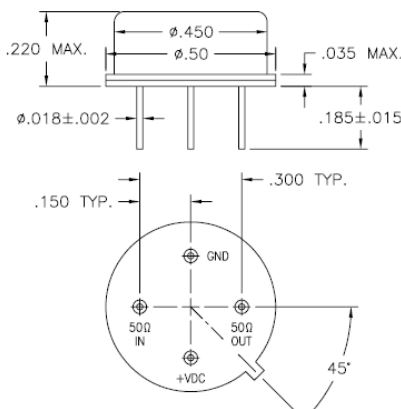
**5-500 MHz
Cascadable Amplifier**



Specifications (Referenced to 50 ohms)

Parameter	Typical Conditions	Min Value	Max Value	Units
Frequency		5	500	MHz.
Gain	33	31.0		dB.
Gain Flatness	±0.3		±1.0	dB.
Gain Var. over temp	0.6			ΔdB.
Pout @ 1dB Comp	+8.7	+7.0		dBm.
Noise Figure	2.0		2.5	dB.
Reverse Isolation	40			dB.
IP ₃ /IP ₂ (two-tone)*	19/33			dBm.
HIP2 (2 nd harm.)	40			dBm.
VSWR In/Out	1.7/1.5:1		2.0:1	
Supply Required	+15/40		+15/45	v/mA.

Min. and max. values are from -55°C to +85°C
 *IP3 and IP2 are in band output intercept points



Typical Performance Curves

■ --55°C ◆ --+25°C ▲ --+85°C

