



Surge Absorber (SPD)

unit for L-L /L-E protection LT-C series

Safety Standard
UL//TUV/CSA
RoHS compliant

Because of internal disconnecter and status display, this SPD can do three proposals.

- ★ **Total cost reduction** : this SPD doesn't need a fuse outside and the cost of installing it.
- ★ **Effective use of total space** : this SPD doesn't need the space of a fuse outside.
- ★ **Easy maintenance** : When it is deteriorated or broken, it can be confirmed by the eye inspection.

Use

Protection for the power line of equipment:work machinery or industrial instruments such as a switchboard, a panel, an NC lathe

Features

1. Safety measure and cost reduction

- ① **Internal disconnecter** (the melted fuse)
 - This SPD can protect the power line of the equipment from lightning surge.
 - This SPD doesn't need a fuse outside for it.
- ② This SPD has status display of Zno element in it.

2. Small size (effective use of total space)

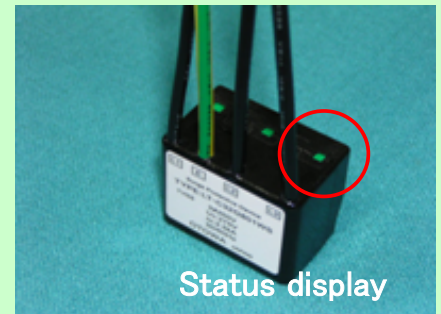
- ① One unit for Line-Line and Line-Earth protection
- ② Because of using the new Multi Terminal Type Element ,it can be the smallest. All types(200V~500V) is same size.
- ③ Because of internal disconnecter, this SPD doesn't need a fuse outside for it.

3. Superior protection ability

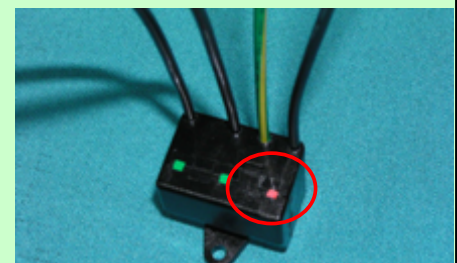
- ① Superior protection ability for high lightning surge, through the energy handling of 5 kA(8/20 μ s)
- ② This SPD can protect the equipment from frequently incoming lightning Surges. (8/20 μ s 1000A;500times)

4. Safety Standard

- ① JIS C5381-1class II (2004) ② EN 61643-11 (2002) ③ UL 1449/ C22.2 No.8



Status display



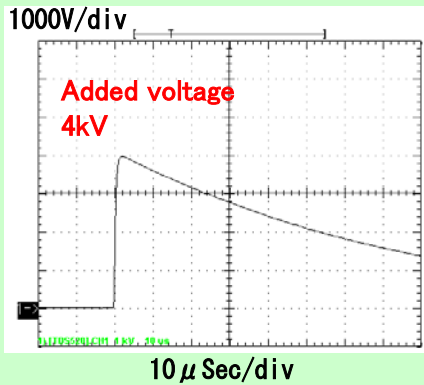
★When it is deteriorated or broken, its color change from green to red.Then please exchange the SPD

Specification

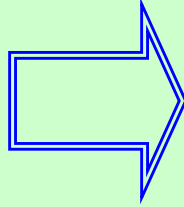
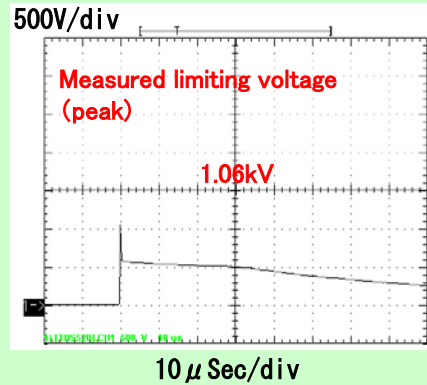
	1 φ 200V	3 φ 200V	1 φ 400V	3 φ 400V	3 φ 500V
Type	LT-C12G801WS	LT-C32G801WS	LT-C14G801WS	LT-C34G801WS	LT-C35G102WS
Rated voltage	250Vr.m.s.	250Vr.m.s	430Vr.m.s	430Vr.m.s	500Vr.m.s
Maximum continuous operating voltage	275Vr.m.s	275Vr.m.s	480Vr.m.s	480Vr.m.s	550Vr.m.s
A.C.Spark-over voltage	560Vr.m.s±20%	560Vr.m.s±20%	560Vr.m.s±20%	560Vr.m.s±20%	700Vr.m.s±20%
D.C.Reference voltage	540V±10%	540V±10%	940V±10%	940V±10%	1100V±10%
A.C.Reference voltage	410Vr.m.s±20%	410Vr.m.s±20%	700Vr.m.s±20%	700Vr.m.s±20%	800Vr.m.s±20%
Nominal discharge current	2,500A	2,500A	2,500A	2,500A	2,500A
Voltage protection level	1.5 kV	1.5 kV	1.8 kV	1.8 kV	2.0 kV
Maximum discharge current	5,000A	5,000A	5,000A	5,000A	5,000A
★disconnector	○	○	○	○	○
★status display	○	○	○	○	○

Wave pattern added 1.2/50 μ s surge voltage (Example)

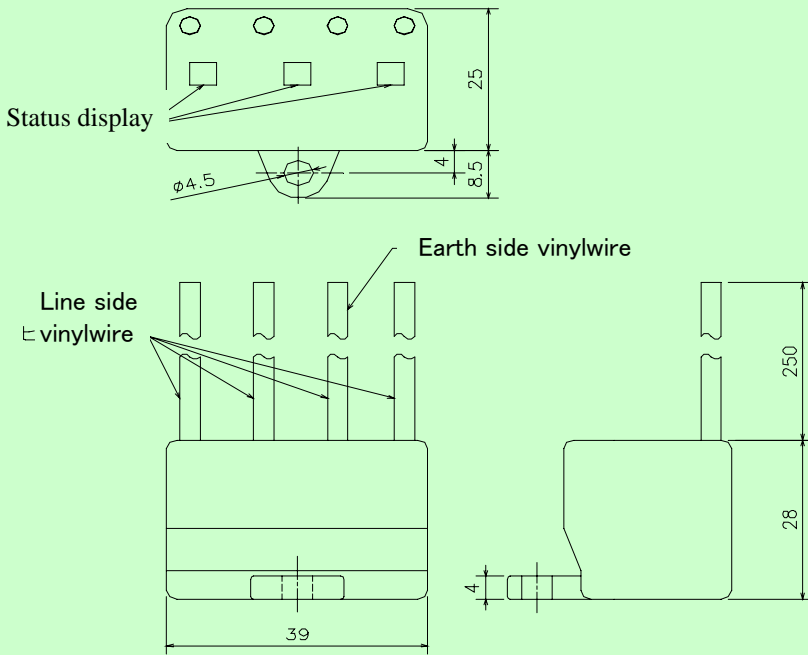
Non-measures



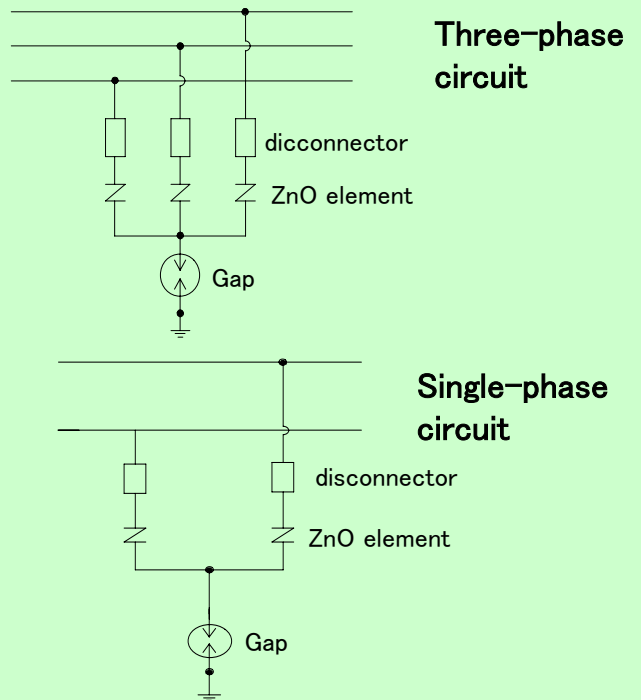
LT-C32G801WS



Dimensions



Circuit diagram



★In the case that the acquired product deviates from the specifications in this catalog, contact us for confirmation
 ★All data in the brochure are subject to change without notice. Accordingly, the use of the information contained in this brochure creates no liability on the part of OTOWA Electric Co., Ltd.

CONTACT: SOSHIN ELECTRIC CO.,LTD.

(JAPAN) 664-1 Sarukubo, Saku-City, Nagano, 385-0011, JAPAN TEL:+81-267-67-6693 FAX :81-267-67-6697
 (U S A) 2520 Mission College Blvd. Suite 104, Santa Clara, CA 95054, USA TEL:+1-408-748-6928 FAX:1-408-748-6936
 (E U) Westerbachstrasse 32 D-6 1476 Kronberg im Taunus, Germany c/o NGK Europe GmbH
 TEL:+49-6173-993-108 FAX:49-6173-993-170
 (Malaysia) Lot 14, Batu Berendam FTZ. Phase 3, Batu Berendam 75350, Malacca, Malaysia
 TEL:+60-6-284-8501 FAX:60-6-284-1946

Maker : OTOWA ELECTRIC CO., LTD