

Tentative Specification (Preliminary)

Control No. : HGC-05221-C

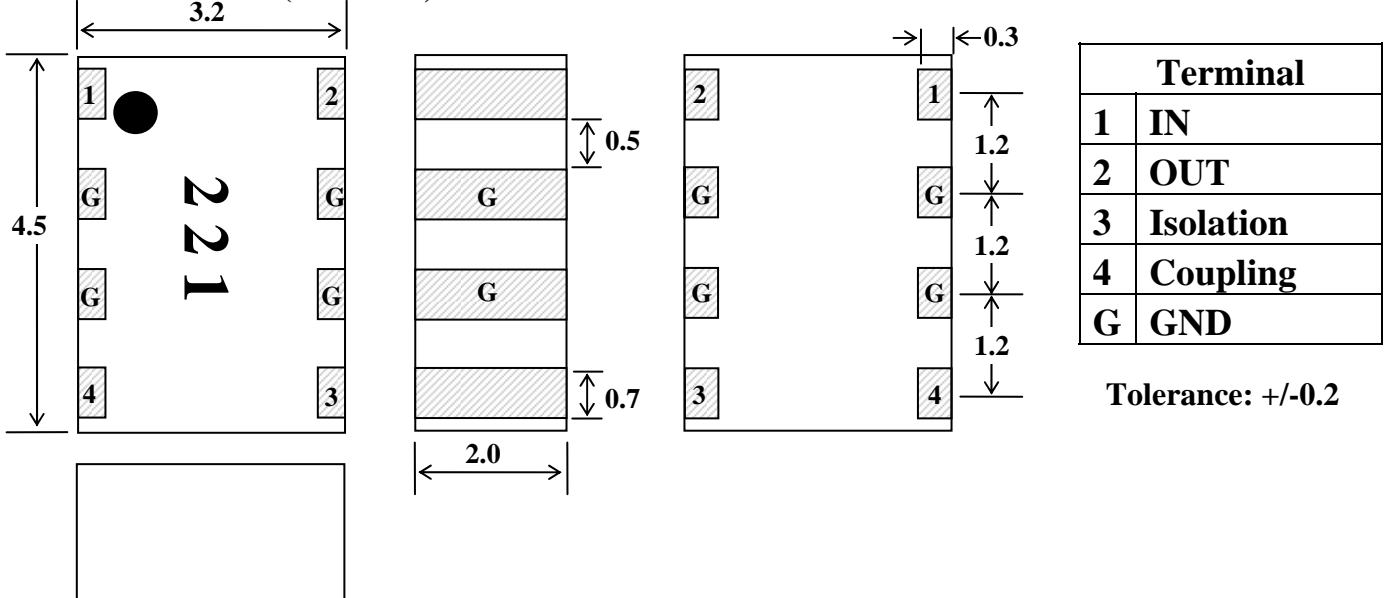
Established on Aug 9, 2013

1. 900MHz Band 20dB Chip Directional Coupler

1.1 TYPE No. : HGC5221-20M0900S RoHS correspondence article

2. Appearance and Construction

2.1 Dimension (Unit: mm)



2.2 Body ... Ceramics

2.3 Terminal ... Ni+Sn plating

2.4 Marking ... Abbreviation of Model No. is printed

3. Absolute Maximum Ratings

3.1 Input Power	(W Avg/CW Ta=25degC)	:	80
3.2 Operating Temperature	(degC)	:	-40 ~ 125
3.3 Storage Temperature	(degC)	:	-40 ~ 85
(-20 ~ 35degC for tape and reel materials)			

4. Target Electrical Characteristics (-40~125degC)

Item	Target Specifications1	Target Specifications2	Target Specifications3
4.1 Nominal Impedance (Ohm)	50		
4.2 Frequency Range (MHz)	690 ~ 750	750 ~ 950	950 ~ 1000
4.3 Insertion Loss (dB MAX)	0.1 (typ. 0.05dB)		
4.4 Coupling (dB)	20+/-1.5		
4.5 V.S.W.R (MAX)	1.22		
4.6 Directivity (dB MIN)	18	20	18
4.7 Coupling Inclination (dB MAX) [Coupling(max)-Coupling(mean)]	0.9		

5. Note

5.1 Number of pieces ordered

At least 1000 pieces must be ordered for serial production.

*Specifications of products are subject to change without notice