

SAW Measurement Report
SF0711
711.0MHz 1.00MHz SAW Filter

Diplex Inc.
267-514-4003

Email : sales@diplex.info

<http://diplex.info/line-card/sawtron/catv-saw-filters/>



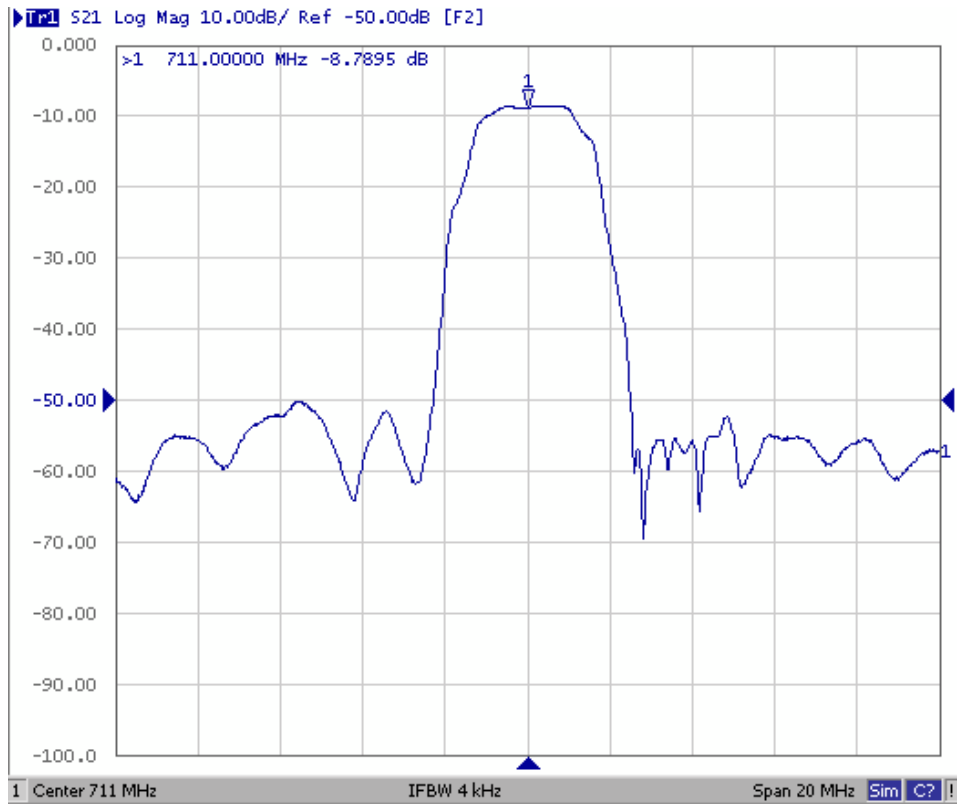
♣ Specification

SF0711

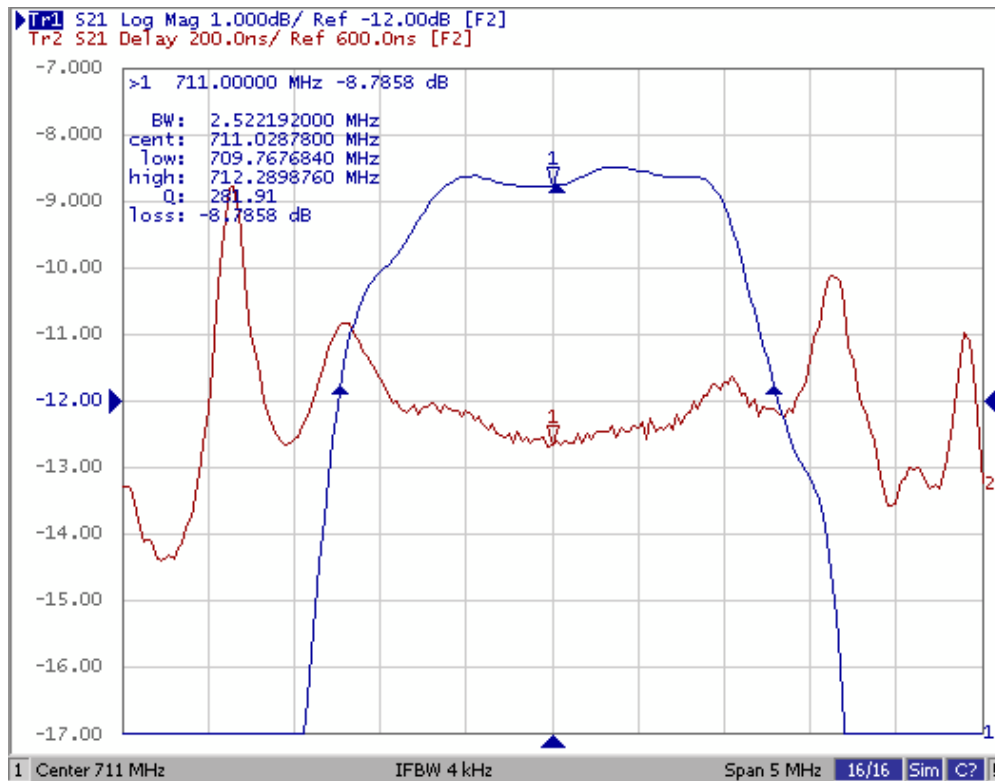
	Unit	Min	Typical	Max	Comments
Operation Temp	°C	-40	25	+85	
Center Frequency, Fc	MHz	710.5	710.8	711.5	3dB Fo
Insertion Loss	dB		8.8	12.0	Fc IL
3dB Lower Frequency	MHz		709.75	710.25	
3dB Upper Frequency	MHz	711.75	712.28		
35dB Lower Frequency	MHz	708.00	708.81		
35dB Upper Frequency	MHz		713.43	714.00	
Ultimate Rejection					
5MHz ~ 700MHz	dBc	35	48		
720MHz ~ 850MHz	dBc	35	49		
Amplitude Ripple	P-P dB		0.1	0.5	Fc ± 100 KHz
Phase Linearity	P-P Deg		2.5		Fc ± 100 KHz
Group Delay Ripple	Nsec		30		Fc ± 100 KHz
Source/Load Impedance	Ω		75		
Matching Components		External Fixed Value			
Package	mm ³	7.0x5.0x1.65			
Notes	1. The typical value measured by the demo board				

♣ Performance: SF0711

(1) wide band Response:

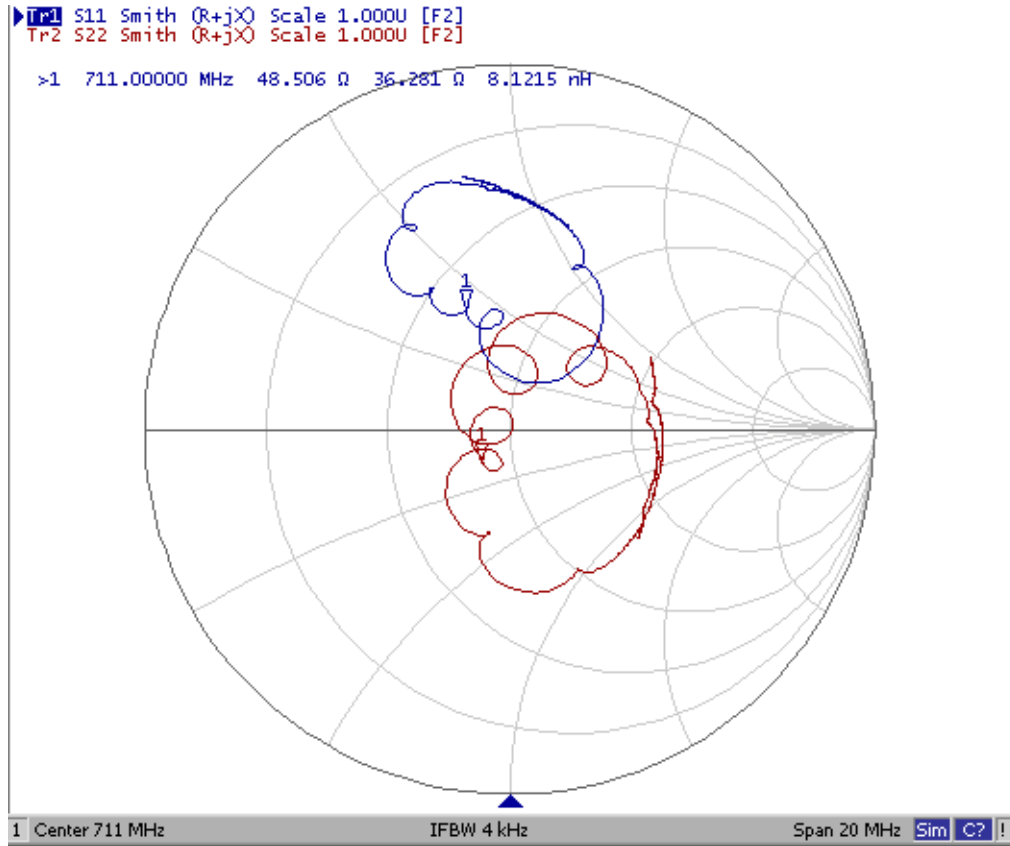


(2) Pass band Response:



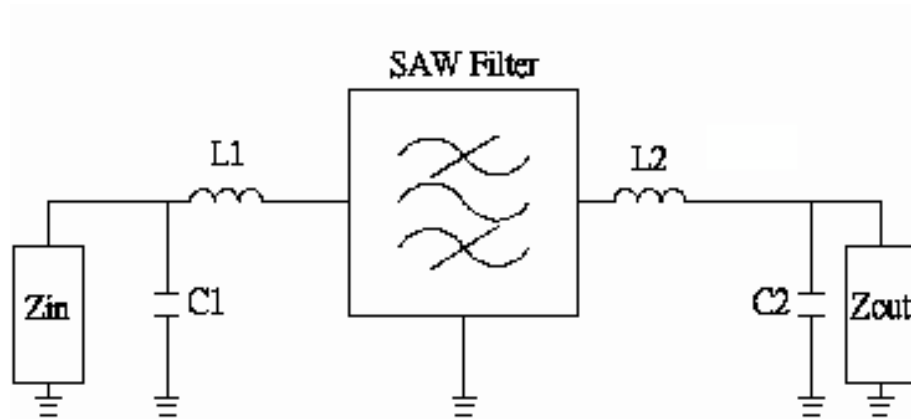
♣ Performance: SF0711

(3) S11&S22 Smith-Chart:



Matching Circuit

75ohm Termination



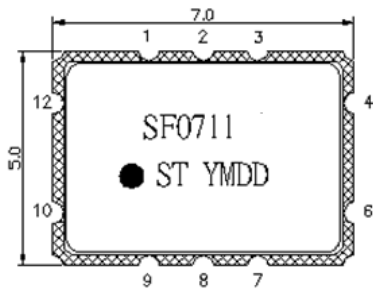
Both Z_{in} and Z_{out} are 75Ω .

$C1 = 8\text{pF}$; $L1 = 5.6\text{nH}$.

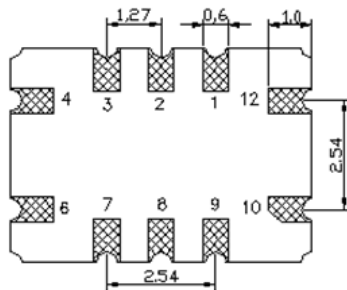
$C2 = 8\text{pF}$; $L2 = 12\text{nH}$.



Package In/Out Pin and Laser Marking Assignment



Input+: 12
 Inout-: 10
 Output+: 6
 Output-: 4
 Ground: Others



Y: Year Code (2006 = 6)
 M: Month Code (Jan=1, Oct=A)
 DD: Date Code (01~31)

