

**Features: (typical values)**

- Super Linearity
- Medium Noise Figure ..... 3.0 dB.
- High Output Power ..... +22.0 dBm.
- High Reliability
- ASC662F for Hermetic Package (Surface Mount available)
- ASC662C for SMA-F

**250-3000 MHz  
Wideband Amplifier  
Gain Block  
Super Low Cost**

**Maximum Ratings**

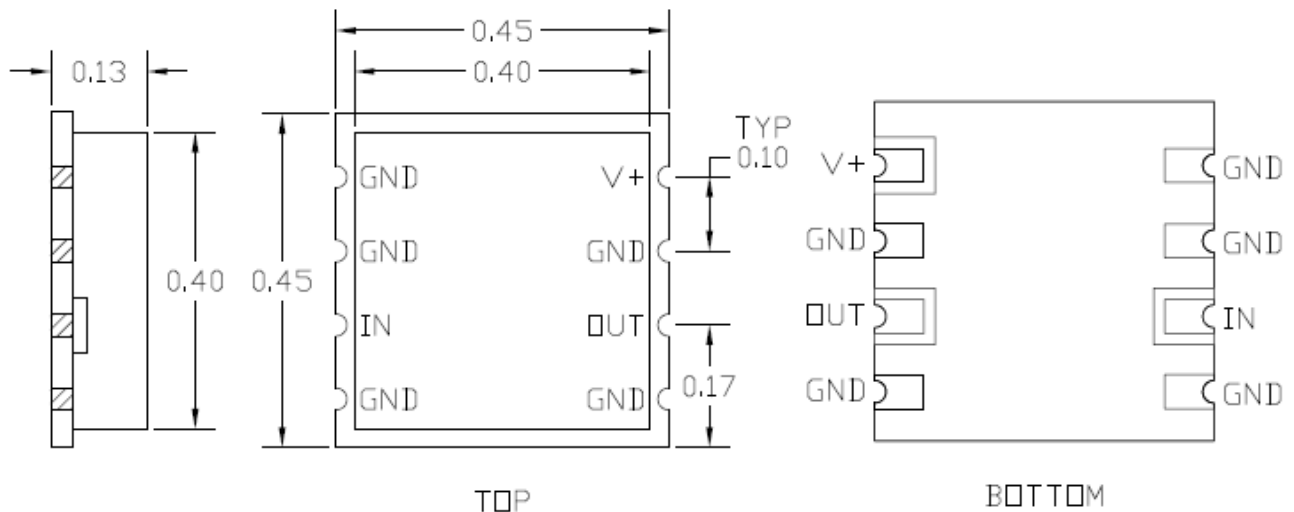
Storage Temperature ..... -62°C to +125°C  
 DC Voltage ..... +7 volts  
 RF Input Power ..... +15.0 dBm.  
 Case Temperature ..... +100°C

Specifications (Referenced to 50 ohms)

Parameter	Typical Conditions	Min Value	Max Value	Units
Frequency		250	3000	MHz.
Gain	12	11.0		dB.
Gain Flatness	±0.25		±0.5	dB.
Gain Var. over temp	0.6			ΔdB.
Pout @ 1dB Comp	+22.0	+20.0		dBm.
Noise Figure	3.0		4.5	dB.
Reverse Isolation	16			dB.
IP <sub>3</sub> /IP <sub>2</sub> (two-tone)*	37/44	35/40		dBm.
HIP2 (2 <sup>nd</sup> harm.)	50.0			dBm.
VSWR In/Out	1.7:1		2.0:1	
Supply Required	+5/150		+5/170	v/mA.

Min. and max. values are from 0°C to +85°C

\*IP<sub>3</sub> and IP<sub>2</sub> are in band output intercept points



**Typical Performance Curves**

-■- -55°C -◆- +25°C -▲- +85°C

